



**io mabe**

*European design,  
American performance*



# ABOUT US

---

## MABE - IOMABE |

Mabe is a Mexican company which has been manufacturing domestic appliances for over 75 years. The company had 26,000 employees in 2023, having grown to be one of Mexico's biggest employers. Mabe is the market leader in domestic appliances Latin America and North America. It is now one of the largest manufacturers of large domestic appliances such as refrigerators, washing machines and cookers which can be found in stores from Argentina to Canada. The factory in Mexico is located in a region which is enjoying rapid economic growth and where many high-tech manufacturers are based. A large number of USA companies have established their high-tech production in this region. In 1987 Mabe signed a strategic alliance with General Electric Appliances (GE Appliances) to work together on the development and production of major domestic appliances. The two companies opened a factory together in Celaya in Mexico in 2000. Since then virtually all 'No Frost' refrigerators - such as side-by-side, bottom freezers and top freezers - for the US, European and the Middle East markets have been manufactured in Mexico. Iomabe was established in 2007 in order to bring together design and functionality in the most important room in the house: the kitchen. The kitchen is more than just a place to cook. It's the place in the home where the best parties happen, where the best conversations take place and where the finest memories are cooked up. It's a place where aesthetics and functionality go hand in hand in harmony.

## AMERICAN APPLIANCES |

American Appliances B.V. specialises in high quality products within the niche segment of the white goods and kitchen market. American Appliances B.V. has been the parts distributor for GE Appliances Benelux since mid-2011, and has been the distributor for mabe and iomabe for the Benelux and Germany since the end of 2013. Alongside the basic range, the majority of appliances are customised by cladding the appliances with stainless steel, mirrors, glass and lacquered finishes. This bespoke finish is applied in our Dutch facility. American Appliances provides service, parts and guarantee for both mabe and iomabe products. The streamlined organisation focuses on service, quality and the good provision of information for both consumers and retailers.

# ULTIMATE COOL IN THREE STEPS

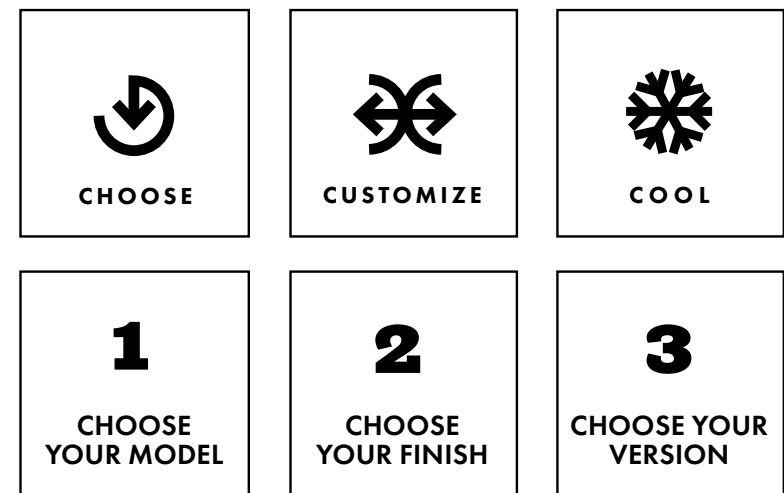
---

The 'American' Bottom-Freezer refrigerators from iomabe are available in 80 models. There will always be one to match your requirements and tastes.

## But which one is it?

This catalogue takes you through the process of tailor-making your Bottom-Freezer refrigerator step by step.

- Choose** | The first question is: do you want a freestanding or built-in Bottom-Freezer?
- Customize** | The second question is: In what color/finish do you want your refrigerator to be?
- Cool** | The third question is: Which version best matches your requirements?

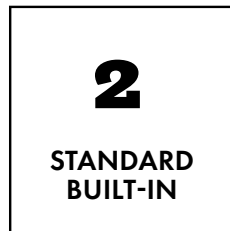




CHOOSE

## FREESTANDING OR BUILT-IN?

The Bottom-Freezer refrigerators from iomabe can be installed in two ways.



**Firstly** there are models that can be installed freestanding. For the freestanding models there is the choice of two different options: The US Style (basic) models and the fully cladded models.

**Secondly** there is the option of having your 'American' refrigerator built in, whereby the doors project slightly from the wall. Building in an 'American' Bottom-Freezer refrigerator is unique to iomabe and is not possible with most rival models.



CUSTOMIZE

## A FINISH TO MATCH YOUR TASTE OR INTERIOR

With the 'American' Bottom-Freezer refrigerator from iomabe you really are choosing a bespoke refrigerator that looks the way that you want. You choose the color or design that matches your taste or interior. And there's plenty of choice. Hence there are models with an attractive and tough stainless steel finish. Many models are available as standard in matt black or matt white. And should that still not offer enough choice, your iomabe can also be supplied in your choice of RAL color. For anyone who fancies a bright pink, sky blue or daffodil yellow Big American, for instance.

### Cladded models (European Design)



STAINLESS STEEL



MATT BLACK RAL 9005



MATT WHITE RAL 9016



CHOICE OF RAL COLOR

### Basic models (US style)



DOORS IN  
STAINLESS STEEL



CUSTOMIZE

## THESE HANDLES PERSONALISE YOUR REFRIGERATOR EVEN FURTHER

Various handles are available for all Bottom Freezer models in the iomabe series, so you can customize the refrigerator to your requirements even better. You can choose the standard robust "Café" handle which is available in stainless steel, matt black, matt white or in a RAL color of your choice, or choose the design handles which are available in matt black, matt white or in RAL color of your choice.

'CAFÉ'  
STAINLESS STEEL



STANDARD HANDLE

'CAFÉ'  
MATT WHITE



CWM

'CAFÉ'  
MATT BLACK



CBM

'CAFÉ'  
RAL COLOR



CRAL

'DESIGN'  
MATT WHITE



DWM

'DESIGN'  
MATT BLACK



DBM

'DESIGN'  
RAL COLOR



DRAL



COOL

## THESE VARIANTS MAKE YOUR KITCHEN COMPLETE

### #1 | Bottom Freezer 2-doors (Page 7/11)

This is the version with 1 door at the top and a drawer at the bottom  
Width approx. 84 cm, right hand door or left hand door.

### | TWIN configuration (Page 11)

Two Bottom-Freezer connected with a special connection kit  
Suitable for standard built-in and US style models. Width 169 cm

### #2 | Bottom Freezer 3-doors (French door) (Page 13/17)

This is the version with 2 doors at the top and a drawer at the bottom  
Width approx. 84 cm

### #3 | Bottom Freezer 3-doors (French door) XXL - 765L! (Page 19/23)

This is the version with 2 doors at the top and a drawer at the bottom  
Width approx. 91 cm, case depth 75 cm XXL

### #4 | WineCooler (Page 24-25)

Undercounter, wine cooler, dual zone in black or stainless steel  
hinge reversible, matches perfect with the undercounter beverage center

### #5 | Beverage center (Page 24-25)

Undercounter, beverage center in black or stainless steel  
hinge reversible, matches perfect with the undercounter wine cooler

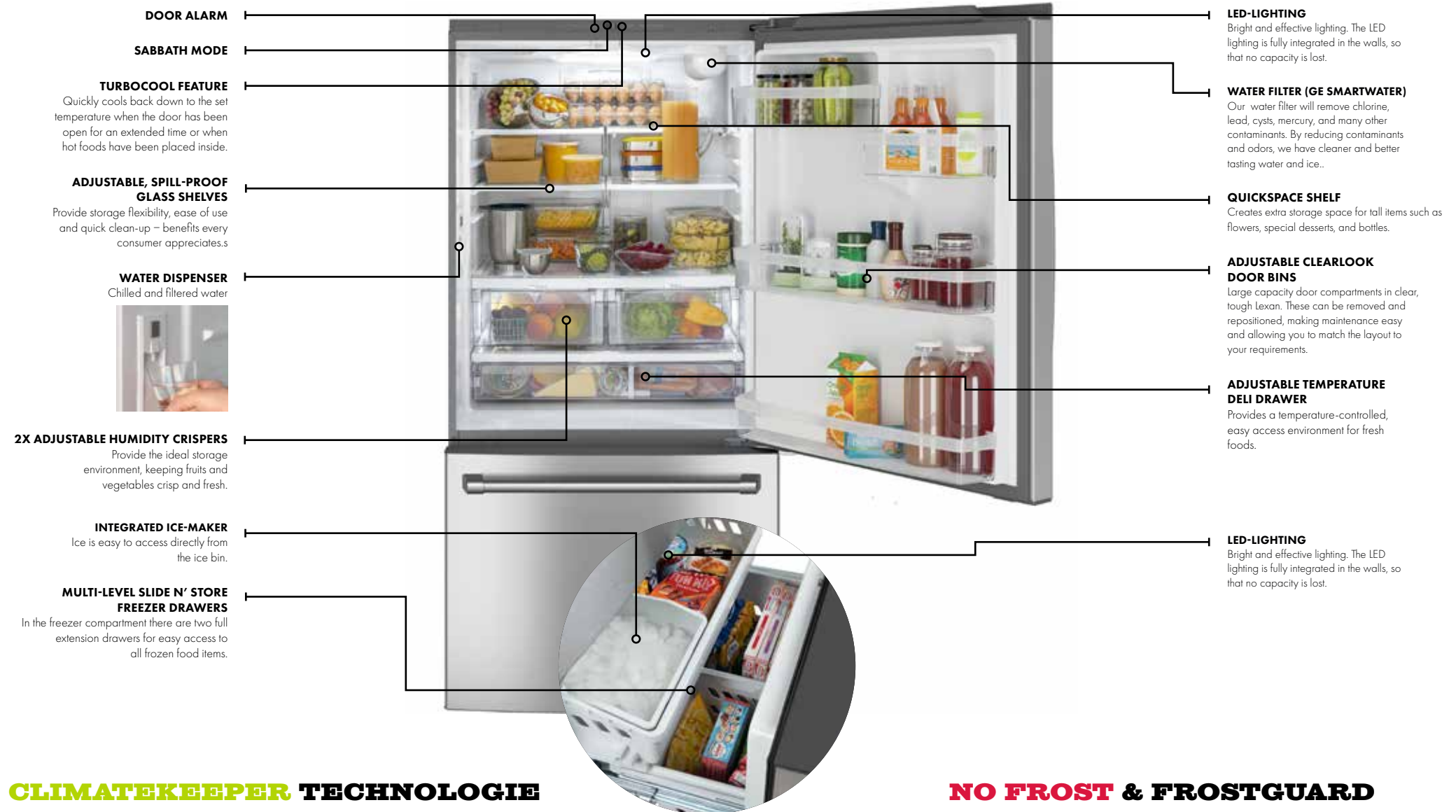
American performance, European design.

Let's make your kitchen **cool** again!

**ICO19-SERIE**



# FUNCTIONS | BOTTOM FREEZER 2-DOORS



**DOOR ALARM**

**SABBATH MODE**

**TURBOCOOL FEATURE**

Quickly cools back down to the set temperature when the door has been open for an extended time or when hot foods have been placed inside.

**ADJUSTABLE, SPILL-PROOF GLASS SHELVES**

Provide storage flexibility, ease of use and quick clean-up – benefits every consumer appreciates.

**WATER DISPENSER**

Chilled and filtered water



**2X ADJUSTABLE HUMIDITY CRISPERS**

Provide the ideal storage environment, keeping fruits and vegetables crisp and fresh.

**INTEGRATED ICE-MAKER**

Ice is easy to access directly from the ice bin.

**MULTI-LEVEL SLIDE N' STORE FREEZER DRAWERS**

In the freezer compartment there are two full extension drawers for easy access to all frozen food items.

**LED-LIGHTING**

Bright and effective lighting. The LED lighting is fully integrated in the walls, so that no capacity is lost.

**WATER FILTER (GE SMARTWATER)**

Our water filter will remove chlorine, lead, cysts, mercury, and many other contaminants. By reducing contaminants and odors, we have cleaner and better tasting water and ice.

**QUICKSPACE SHELF**

Creates extra storage space for tall items such as flowers, special desserts, and bottles.

**ADJUSTABLE CLEARLOOK DOOR BINS**

Large capacity door compartments in clear, tough Lexan. These can be removed and repositioned, making maintenance easy and allowing you to match the layout to your requirements.

**ADJUSTABLE TEMPERATURE DELI DRAWER**

Provides a temperature-controlled, easy access environment for fresh foods.

**LED-LIGHTING**

Bright and effective lighting. The LED lighting is fully integrated in the walls, so that no capacity is lost.

## CLIMATEKEEPER TECHNOLOGIE

In order to keep your food fresh for as long as possible, these technologies ensure a uniform and precise temperature in each of the refrigerator's compartments. This is achieved by fitting sensitive electronic sensors, an air tunnel across various levels and fans linked to the most advanced electronics. This considerably improves the quality and storage life of your food.

## NO FROST & FROSTGUARD

No Frost ventilated cooling guarantees homogeneous temperatures which enable you to store your food better and freeze it more efficiently. The FrostGuard technology makes automatic defrosting a lot more convenient. Your refrigerator will only defrost when it is necessary on the basis of precise measurements. This considerably reduces the risk of freezer burn. This technology means that food can be stored longer and better, and you no longer need to defrost manually.

# #1 | BOTTOM FREEZER 2-DOORS FREESTANDING

MATT WHITE RAL 9016



ICO 19JSR 8WM

Freestanding doors, sides and top in matt white right hand door\* 'Café' handles in stainless steel



ICO 19JSR 8WM-CWM

Freestanding doors, sides and top in matt white right hand door\* 'Café' handles in matt white



ICO 19JSR 8WM-DWM

Freestanding doors, sides and top in matt white right hand door\* 'Design' handles in matt white



\* ALSO AVAILABLE WITH LEFT HAND DOOR

**\* ALSO AVAILABLE WITH LEFT HAND DOOR**

**MATT BLACK RAL 9005**



ICO19JSR 8BM

Freestanding doors, sides and top in matt black right hand door\* 'Café' handles in stainless steel



ICO19JSR 8BM-CBM

Freestanding doors, sides and top in matt black right hand door\* 'Café' handles in matt black



ICO19JSR 8BM-DBM

Freestanding doors, sides and top in matt black right hand door\* 'Design' handles in matt black

**STAINLESS STEEL**



ICO19JSR 80

Freestanding doors, sides and top in stainless steel right hand door\* 'Café' handles in stainless steel

**RAL COLOR OF CHOICE "CUSTOM MADE"**



ICO19JSR 8RAL

Freestanding doors, sides and top in color of choice right hand door\* 'Café' handles in stainless steel



ICO19JSR 8RAL-CRAL

Freestanding doors, sides and top in color of choice right hand door\* 'Café' handles in color of choice



ICO19JSR 8RAL-DRAL

Freestanding doors, sides and top in color of choice right hand door\* 'Design' handles in color of choice



**US STYLE - STAINLESS STEEL**



ICO19JSR SS

Freestanding or standard built-in doors in stainless steel, sides anthracite door reversible\* 'Café' handles in stainless steel

# #1 | BOTTOM FREEZER 2-DOORS STANDARD BUILT-IN

MAT WHITE RAL 9016



ICO19ISPR 3WM

Standard built-in doors in matt white right hand door\*  
'Café' handles in stainless steel



ICO19ISPR 3WM-CWM

Standard built-in doors in matt white right hand door\*  
'Café' handles in matt white



ICO19ISPR 3WM-DWM

Standard built-in doors in matt white right hand door\*  
'Design' handles in matt white



**\* ALSO AVAILABLE WITH LEFT HAND DOOR**

**\* ALSO AVAILABLE WITH LEFT HAND DOOR**

**MATT BLACK RAL 9005**



ICO19ISPR 3BM

Standard built-in doors in matt black right hand door\*  
'Café' handles in stainless steel



ICO19ISPR 3BM-CBM

Standard built-in doors in matt black right hand door\*  
'Café' handles in matt black



ICO19ISPR 3BM-DBM

Standard built-in doors in matt black right hand door\*  
'Design' handles in matt black

**STAINLESS STEEL**



ICO19ISPR 30

Standard built-in doors in stainless steel right hand door\*  
'Café' handles in stainless steel

**US STYLE - STAINLESS EL**



ICO19ISPR SS

Freestanding or standard built-in doors in stainless steel, sides anthracite door reversible\*  
'Café' handles in stainless steel

**RAL COLOR OF CHOICE "CUSTOM MADE"**



ICO19ISPR 3RAL

Standard built-in doors in color of choice right hand door\*  
'Café' handles in stainless steel



ICO19ISPR 3RAL-CRAL

Standard built-in doors in color of choice right hand door\*  
'Café' handles in color of choice



ICO19ISPR 3RAL-DRAL

Standard built-in doors in color of choice right hand door\*  
'Design' handles in color of choice



**TWIN CONFIGURATION CK-ICO19 "CONNECTION KIT"**



Two Bottom-Freezer connected with a special connection kit CK-ICO19 Suitable for standard built-in and US style models. Width 169 cm

**IWO19-SERIE**



**DOOR ALARM**

**SABBATH MODE**

**TURBOCOOL FEATURE**

Quickly cools back down to the set temperature when the door has been open for an extended time or when hot foods have been placed inside.

**ADJUSTABLE, SPILL-PROOF GLASS SHELVES**

Provide storage flexibility, ease of use and quick clean-up – benefits every consumer appreciates.

**WATER DISPENSER**

Chilled and filtered water



**2X ADJUSTABLE HUMIDITY CRISPERS**

Provide the ideal storage environment, keeping fruits and vegetables crisp and fresh.

**INTEGRATED ICE-MAKER**

Ice is easy to access directly from the ice bin.

**MULTI-LEVEL SLIDE N' STORE FREEZER DRAWERS**

In the freezer compartment there are two full extension drawers for easy access to all frozen food items.

**LED-LIGHTING**

Bright and effective lighting. The LED lighting is fully integrated in the walls, so that no capacity is lost.

**WATER FILTER (GE SMARTWATER)**

Our water filter will remove chlorine, lead, cysts, mercury, and many other contaminants. By reducing contaminants and odors, we have cleaner and better tasting water and ice.

**QUICKSPACE SHELF**

Creates extra storage space for tall items such as flowers, special desserts, and bottles.

**ADJUSTABLE CLEARLOOK DOOR BINS**

Large capacity door compartments in clear, tough Lexan. These can be removed and repositioned, making maintenance easy and allowing you to match the layout to your requirements.

**ADJUSTABLE TEMPERATURE DELI DRAWER**

Provides a temperature-controlled, easy access environment for fresh foods.

**LED-LIGHTING**

Bright and effective lighting. The LED lighting is fully integrated in the walls, so that no capacity is lost.

**CLIMATEKEEPER TECHNOLOGIE**

In order to keep your food fresh for as long as possible, these technologies ensure a uniform and precise temperature in each of the refrigerator's compartments. This is achieved by fitting sensitive electronic sensors, an air tunnel across various levels and fans linked to the most advanced electronics. This considerably improves the quality and storage life of your food.

**NO FROST & FROSTGUARD**

No Frost ventilated cooling guarantees homogeneous temperatures which enable you to store your food better and freeze it more efficiently. The FrostGuard technology makes automatic defrosting a lot more convenient. Your refrigerator will only defrost when it is necessary on the basis of precise measurements. This considerably reduces the risk of freezer burn. This technology means that food can be stored longer and better, and you no longer need to defrost manually.



## #2 | BOTTOM FREEZER 3-DOORS FREESTANDING

MATT WHITE RAL 9016



IWO19ISPF 8WM

Freestanding doors, sides and top in matt white 'Café' handles in stainless steel



IWO19ISPF 8WM-CWM

Freestanding doors, sides and top in matt white 'Café' handles in matt white



IWO19ISPF 8WM-DWM

Freestanding doors, sides and top in matt white 'Design' handles in matt white



**MATT BLACK RAL 9005**



IWO 19JSFF 8BM

Freestanding doors, sides and top in matt black 'Café' handles in stainless steel



IWO 19JSFF 8BM-CBM

Freestanding doors, sides and top in matt black 'Café' handles in matt black



IWO 19JSFF 8BM-DBM

Freestanding doors, sides and top in matt black 'Design' handles in matt black

**STAINLESS STEEL**



IWO 19JSFF 80

Freestanding doors, sides and top in stainless steel 'Café' handles in stainless steel

**RAL COLOR OF CHOICE "CUSTOM MADE"**



IWO 19JSFF 8RAL

Freestanding doors, sides and top in color of choice right hand door\* 'Café' handles in stainless steel



IWO 19JSFF 8RAL-CRAL

Freestanding doors, sides and top in color of choice right hand door\* 'Café' handles in color of choice



IWO 19JSFF 8RAL-DRAL

Freestanding doors, sides and top in color of choice right hand door\* 'Design' handles in color of choice



**US STYLE - STAINLESS STEEL**



IWO 19JSFF SS

Freestanding or standard built-in doors in stainless steel, sides anthracite 'Café' handles in stainless steel

## #2 | BOTTOM FREEZER 3-DOORS STANDARD BUILT-IN

MATT WHITE RAL 9016



IWO19ISPF 3WM

Standard built-in doors in matt white right hand door\*  
'Café' handles in stainless steel



IWO19ISPF 3WM-CWM

Standard built-in doors in matt white right hand door\*  
'Café' handles in matt white



IWO19ISPF 3WM-DWM

Standard built-in doors in matt white right hand door\*  
'Design' handles in matt white



**MATT BLACK RAL 9005**



IWO 19JSFP 3BM

Standard built-in doors in matt black  
'Café' handles in stainless steel



IWO 19JSFP 3BM-CBM

Standard built-in doors in matt black  
'Café' handles in matt black



IWO 19JSFP 3BM-DBM

Standard built-in doors in matt black  
'Design' handles in matt black

**STAINLESS STEEL**



IWO 19JSFP 30

Standard built-in doors in stainless steel  
'Café' handles in stainless steel

**RAL COLOR OF CHOICE "CUSTOM MADE"**



IWO 19JSFP 3RAL

Standard built-in doors in color of choice right hand  
'Café' handles in stainless steel



IWO 19JSFP 3RAL-CRAL

Standard built-in doors in color of choice right hand  
'Café' handles in color of choice



IWO 19JSFP 3RAL-DRAL

Standard built-in doors in color of choice right hand  
'Design' handles in color of choice



**US STYLE - STAINLESS STEEL**



IWO 19JSFP SS

Freestanding or standard built-in doors in stainless steel, sides anthracite  
'Café' handles in stainless steel

**INO27-SERIE XXL**



# FUNCTIONS | BOTTOM FREEZER 3-DOORS XXL

**io mabe**

**DOOR ALARM**

**SABBATH MODE**

**TURBOCOOL FEATURE**

Quickly cools back down to the set temperature when the door has been open for an extended time or when hot foods have been placed inside.

**ADJUSTABLE, SPILL-PROOF GLASS SHELVES**

Provide storage flexibility, ease of use and quick clean-up – benefits every consumer appreciates.

**WATER DISPENSER**

Chilled and filtered water



**2X ADJUSTABLE HUMIDITY CRISPERS**

Provide the ideal storage environment, keeping fruits and vegetables crisp and fresh.

**INTEGRATED ICE-MAKER**

Ice is easy to access directly from the ice bin.

**MULTI-LEVEL SLIDE N' STORE FREEZER DRAWERS**

In the freezer compartment there are 2 full extension drawers for easy access to all frozen food items.

**LED-LIGHTING**

Bright and effective lighting. The LED lighting is fully integrated in the walls, so that no capacity is lost.

**WATER FILTER (GE SMARTWATER)**

Our water filter will remove chlorine, lead, cysts, mercury, and many other contaminants. By reducing contaminants and odors, we have cleaner and better tasting water and ice.

**QUICKSPACE SHELF**

Creates extra storage space for tall items such as flowers, special desserts, and bottles.

**ADJUSTABLE CLEARLOOK DOOR BINS**

Large capacity door compartments in clear, tough Lexan. These can be removed and repositioned, making maintenance easy and allowing you to match the layout to your requirements.

**ADJUSTABLE TEMPERATURE DELI DRAWER**

Provides a temperature-controlled, easy access environment for fresh foods.

**LED-LIGHTING**

Bright and effective lighting. The LED lighting is fully integrated in the walls, so that no capacity is lost.

**CLIMATEKEEPER TECHNOLOGIE**

In order to keep your food fresh for as long as possible, these technologies ensure a uniform and precise temperature in each of the refrigerator's compartments. This is achieved by fitting sensitive electronic sensors, an air tunnel across various levels and fans linked to the most advanced electronics. This considerably improves the quality and storage life of your food.

**NO FROST & FROSTGUARD**

No Frost ventilated cooling guarantees homogeneous temperatures which enable you to store your food better and freeze it more efficiently. The FrostGuard technology makes automatic defrosting a lot more convenient. Your refrigerator will only defrost when it is necessary on the basis of precise measurements. This considerably reduces the risk of freezer burn. This technology means that food can be stored longer and better, and you no longer need to defrost manually.



# #3 | BOTTOM FREEZER 3-DOORS FREESTANDING XXL

MATT WHITE RAL 9016



INO27ISPF 8WM

Freestanding doors, sides and top in matt white right hand door\* 'Café' handles in stainless steel



INO27ISPF 8WM-CWM

Freestanding doors, sides and top in matt white right hand door\* 'Café' handles in matt white



INO27ISPF 8WM-DWM

Freestanding doors, sides and top in matt white right hand door\* 'Design' handles in matt white



**MATT BLACK RAL 9005**



INO271SFF 8BM

Freestanding doors, sides and top in matt black 'Café' handles in stainless steel



INO271SFF 8BM-CBM

Freestanding doors, sides and top in matt black 'Café' handles in matt black



INO271SFF 8BM-DBM

Freestanding doors, sides and top in matt black 'Design' handles in matt black

**STAINLESS STEEL**



INO271SFF 80

Freestanding doors, sides and top in stainless steel 'Café' handles in stainless steel

**RAL COLOR OF CHOICE "CUSTOM MADE"**



INO271SFF 8RAL

Freestanding doors, sides and top in color of choice 'Café' handles in stainless steel



INO271SFF 8RAL-CRAL

Freestanding doors, sides and top in color of choice 'Café' handles in color of choice



INO271SFF 8RAL-DRAL

Freestanding doors, sides and top in color of choice 'Design' handles in color of choice



**US STYLE - STAINLESS STEEL**



INO271SFF FS

Freestanding or standard built-in doors in stainless steel, sides anthracite 'Café' handles in stainless steel

# #3 | BOTTOM FREEZER 3-DOORS STANDARD BUILT-IN XXL

MATT WHITE RAL 9016



INO27ISPF 3WM

Standard built-in doors in matt white  
'Café' handles in stainless steel



INO27ISPF 3WM-CWM

Standard built-in doors in matt white  
'Café' handles in matt white



INO27ISPF 3WM-DWM

Standard built-in doors in matt white  
'Design' handles in matt white



**MATT BLACK RAL 9005**



INOZ7ISFF 3BM

Standard built-in doors in matt black  
'Café' handles in stainless steel



INOZ7ISFF 3BM-CBM

Standard built-in doors in matt black  
'Café' handles in matt black



INOZ7ISFF 3BM-DBM

Standard built-in doors in matt black  
'Design' handles in matt black

**STAINLESS STEEL**



INOZ7ISFF 30

Standard built-in doors in stainless steel  
'Café' handles in stainless steel

**RAL COLOR OF CHOICE "CUSTOM MADE"**



INOZ7ISFF 3RAL

Standard built-in doors in color of choice right hand  
'Café' handles in stainless steel



INOZ7ISFF 3RAL -CRAL

Standard built-in doors in color of choice right hand  
'Café' handles in color of choice



INOZ7ISFF 3RAL-DRAL

Standard built-in doors in color of choice right hand  
'Design' handles in color of choice



**US STYLE - STAINLESS STEEL**



INOZ7ISFF 5S

Freestanding or standard built-in doors in stainless steel, sides anthracite  
'Café' handles in stainless steel

## #4 | WINE COOLER

### UNDER COUNTER | DUAL ZONE



IOW51DDSS  
stainless steel with stainless steel handle



IOW51DDBB  
black with stainless steel handle



IOW51DDBB-BG  
black with black handle

two temperature zones  
(upper 5-12 °C / lower 12-22 °C)  
glass door with UV protection  
attractive wooden shelves  
LED-lighting - carbon filter  
hinge reversible  
capacity 51 bottles

51  
BOTTLES

DUAL  
ZONE

## #5 | BEVERAGE CENTER

### UNDER COUNTER



IOB150SS  
stainless steel with stainless steel handle



IOB150BB  
black with stainless steel handle

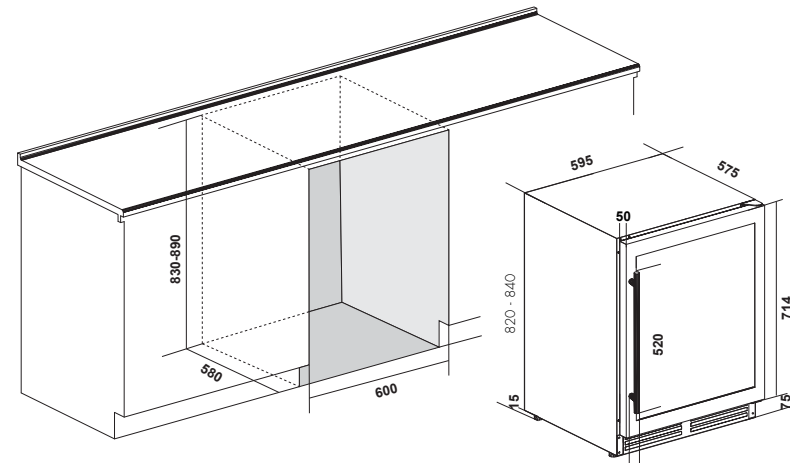
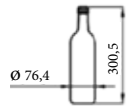
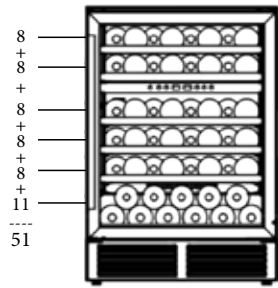


IOB150BB-BG  
black with black handle

electronic controls display current temperature  
glass door with UV protection  
wire steel shelves  
LED-lighting - carbon filter  
hinge reversible  
capacity 51 liter

150  
LITER

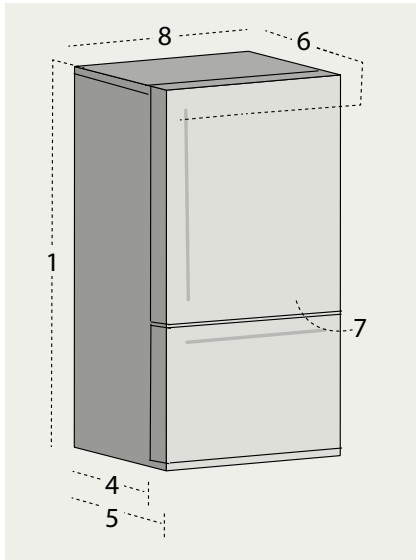
# DIMENSIONS WINE COOLER & BEVERAGE CENTER



# # DIMENSIONS BOTTOM FREEZER 2-DOORS

## FREESTANDING

### 2-DOORS | ICO19JSPR

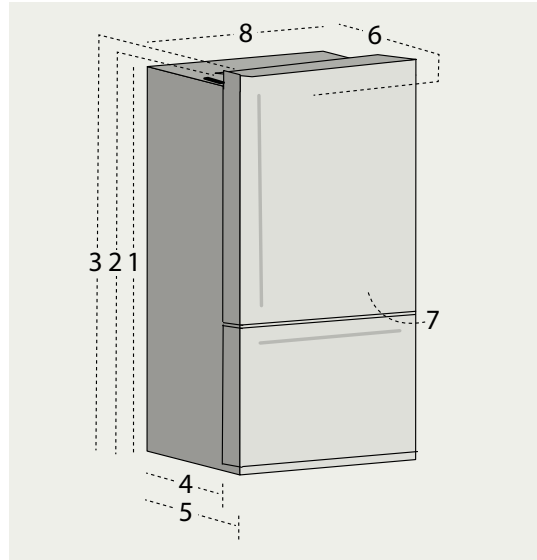


#### Freestanding

| Series ICO19JSPR                  | 80 - 8RAL<br>8BM - 8WM |
|-----------------------------------|------------------------|
| 1. Height to top of case          | 1805                   |
| 2. Height to top of hinge         | 1805                   |
| 3. Height to top of door          | 1805                   |
| 4. Depth of case without door     | 625                    |
| 5. Depth without handles          | 734                    |
| 6. Depth incl. "Cafe" handles     | 802                    |
| Depth incl. "Design" handles      | 774                    |
| 7. Total depth with door open 90° | 1495                   |
| 8. Width                          | 850                    |
| 9. Width of open door (R)         | 590                    |
| 10. Width of open door (L)        | 590                    |
| Recess dimensions                 |                        |
| A. Recess width                   | 855                    |
| B. Recess depth*                  | 632                    |
| C. Recess height                  | 1815                   |

## STANDARD BUILT-IN & US STYLE

### 2-DOORS | ICO19JSPR



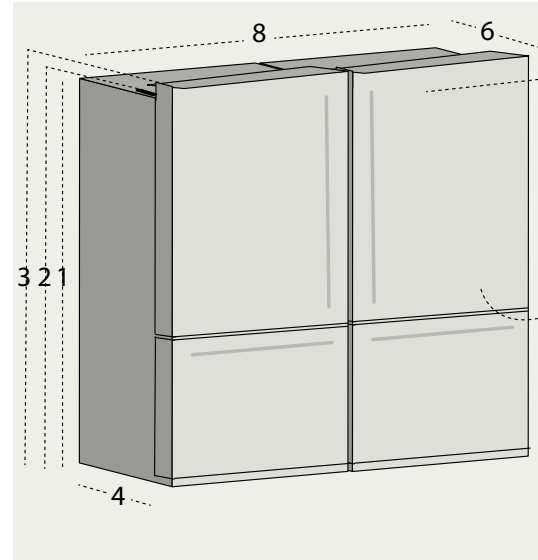
#### Standard built-in

#### US Style

| Series ICO19JSPR                  | 30 - 3RAL<br>3BM - 3WM | SS   |
|-----------------------------------|------------------------|------|
| 1. Height to top of case          | 1742                   | 1742 |
| 2. Height to top of hinge         | 1772                   | 1772 |
| 3. Height to top of door          | 1805                   | 1775 |
| 4. Depth of case without door     | 625                    | 625  |
| 5. Depth without handles          | 734                    | 734  |
| 6. Depth incl. "Cafe" handles     | 802                    | 795  |
| Depth incl. "Design" handles      | 774                    | -    |
| 7. Total depth with door open 90° | 1495                   | 1495 |
| 8. Width                          | 840                    | 840  |
| 9. Width of open door (R)         | 590                    | 590  |
| 10. Width of open door (L)        | 590                    | 590  |
| Recess dimensions                 |                        |      |
| A. Recess width                   | 845                    | 845  |
| B. Recess depth*                  | 632                    | 632  |
| C. Recess height                  | 1785                   | 1785 |

## TWIN STANDARD BUILT-IN & US STYLE

### TWIN | 2X ICO19JSPR

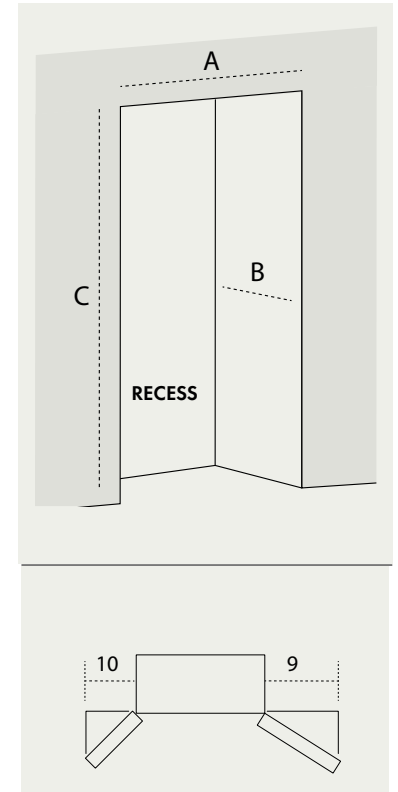


#### Standard built-in

#### US style

| Series 2x ICO19JSPR<br>With CK-19 CONNECTION KIT | 30 - 3RAL<br>3BM - 3WM | SS   |
|--|------------------------|------|
| 1. Height to top of case                         | 1742                   | 1742 |
| 2. Height to top of hinge                        | 1772                   | 1772 |
| 3. Height to top of door                         | 1805                   | 1775 |
| 4. Depth of case without door                    | 625                    | 625  |
| 5. Depth without handles                         | 734                    | 734  |
| 6. Depth incl. "Cafe" handles                    | 802                    | 795  |
| Depth incl. "Design" handles                     | 774                    | -    |
| 7. Total depth with door open 90°                | 1495                   | 1495 |
| 8. Width   | 1690                   | 1690 |
| 9. Width of open door (R)                        | 590                    | 590  |
| 10. Width of open door (L)                       | 590                    | 590  |
| Recess dimensions                                |                        |      |
| A. Recess width                                  | 1696                   | 1696 |
| B. Recess depth*                                 | 632                    | 632  |
| C. Recess height                                 | 1785                   | 1785 |

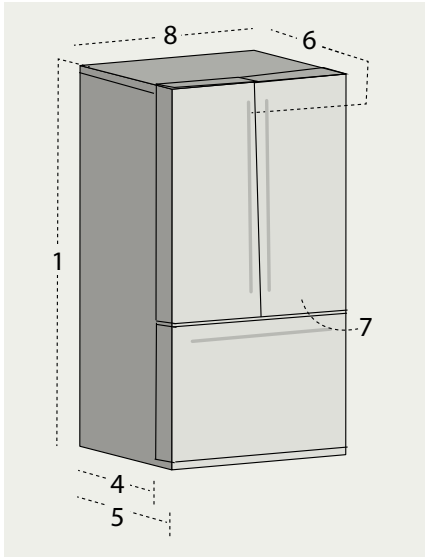
## RECESS



# # DIMENSIONS BOTTOM FREEZER 3-DOORS

## FREESTANDING

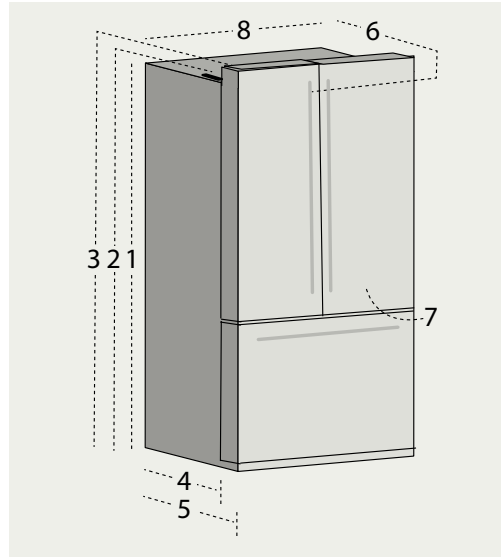
### 3-DOORS | IWO19JSPF



| Freestanding                      |                        |
|-----------------------------------|------------------------|
| Series IWO19JSPF                  | 80 - 8RAL<br>8BM - 8WM |
| 1. Height to top of case          | 1805                   |
| 2. Height to top of hinge         | 1805                   |
| 3. Height to top of door          | 1805                   |
| 4. Depth of case without door     | 625                    |
| 5. Depth without handles          | 734                    |
| 6. Depth incl. "Cafe" handles     | 802                    |
| Depth incl. "Design" handles      | 774                    |
| 7. Total depth with door open 90° | 1070                   |
| 8. Width                          | 850                    |
| 9. Width of open door (R)         | 320                    |
| 10. Width of open door (L)        | 320                    |
| Recess dimensions                 |                        |
| A. Recess width                   | 855                    |
| B. Recess depth*                  | 632                    |
| C. Recess height                  | 1815                   |

## STANDARD BUILT-IN & US STYLE

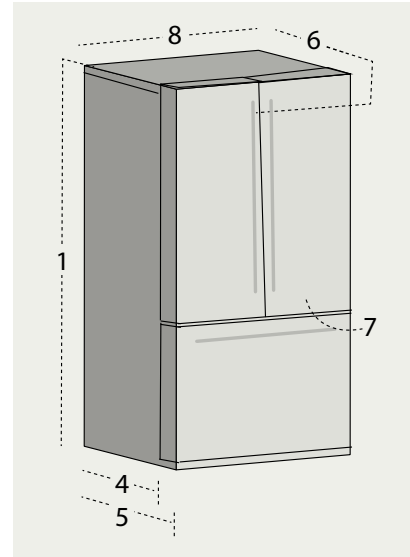
### 3-DOORS | IWO19JSPF



| Standard built-in                 | US Style               |      |
|-----------------------------------|------------------------|------|
| Series IWO19JSPF                  | 30 - 3RAL<br>3BM - 3WM | SS   |
| 1. Height to top of case          | 1742                   | 1742 |
| 2. Height to top of hinge         | 1772                   | 1772 |
| 3. Height to top of door          | 1805                   | 1775 |
| 4. Depth of case without door     | 625                    | 625  |
| 5. Depth without handles          | 734                    | 734  |
| 6. Depth incl. "Cafe" handles     | 802                    | 795  |
| Depth incl. "Design" handles      | 774                    | -    |
| 7. Total depth with door open 90° | 1070                   | 1066 |
| 8. Width                          | 840                    | 840  |
| 9. Width of open door (R)         | 320                    | 320  |
| 10. Width of open door (L)        | 320                    | 320  |
| Recess dimensions                 |                        |      |
| A. Recess width                   | 845                    | 845  |
| B. Recess depth*                  | 632                    | 632  |
| C. Recess height                  | 1785                   | 1785 |

## FREESTANDING

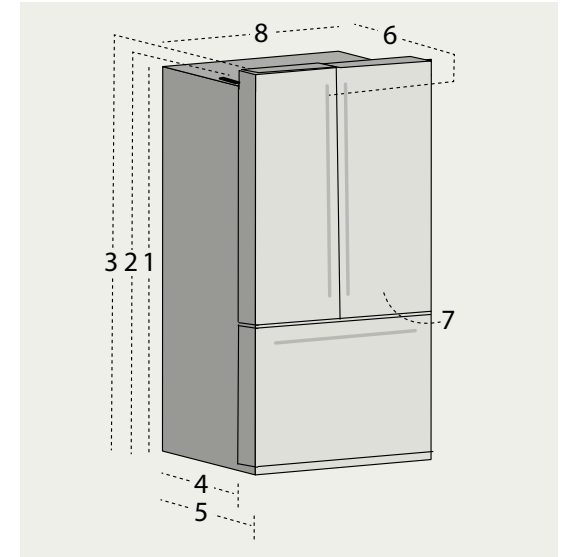
### 3-DOORS | INO27JSPF



| Freestanding                      |                        |
|-----------------------------------|------------------------|
| Series INO27JSPF                  | 80 - 8RAL<br>8BM - 8WM |
| 1. Height to top of case          | 1805                   |
| 2. Height to top of hinge         | 1805                   |
| 3. Height to top of door          | 1805                   |
| 4. Depth of case without door     | 758                    |
| 5. Depth without handles          | 867                    |
| 6. Depth incl. "Cafe" handles     | 935                    |
| Depth incl. "Design" handles      | 907                    |
| 7. Total depth with door open 90° | 1250                   |
| 8. Width                          | 920                    |
| 9. Width of open door (R)         | 340                    |
| 10. Width of open door (L)        | 340                    |
| Recess dimensions                 |                        |
| A. Recess width                   | 925                    |
| B. Recess depth*                  | 764                    |
| C. Recess height                  | 1815                   |

## STANDARD BUILT-IN & US STYLE

### 3-DOORS | INO27JSPF



| Standard built-in                 | US Style               |      |
|-----------------------------------|------------------------|------|
| Series INO27JSPF                  | 30 - 3RAL<br>3BM - 3WM | FS   |
| 1. Height to top of case          | 1742                   | 1742 |
| 2. Height to top of hinge         | 1772                   | 1772 |
| 3. Height to top of door          | 1805                   | 1775 |
| 4. Depth of case without door     | 758                    | 758  |
| 5. Depth without handles          | 867                    | 863  |
| 6. Depth incl. "Cafe" handles     | 935                    | 930  |
| Depth incl. "Design" handles      | 907                    | -    |
| 7. Total depth with door open 90° | 1250                   | 1244 |
| 8. Width                          | 910                    | 910  |
| 9. Width of open door (R)         | 340                    | 340  |
| 10. Width of open door (L)        | 340                    | 340  |
| Recess dimensions                 |                        |      |
| A. Recess width                   | 915                    | 915  |
| B. Recess depth*                  | 764                    | 764  |
| C. Recess height                  | 1785                   | 1785 |

## # TECHNICAL SPECIFICATIONS

|   | BottomFreezer   | BottomFreezer   | BottomFreezer   |
|---|-----------------|-----------------|-----------------|
| Series  | ICO19           | IWO19           | INO27           |
| Total Gross/Net (litres)                        | 530             | 527             | 765             |
| ISO Gross/Net refrigerator compartment (litres) | 388             | 385             | 533             |
| ISO Gross/Net freezer compartment (litres)      | 142             | 142             | 232             |
| Energy consumption (kWh/a)                      | 263             | 263             | 302             |
| Energy class                                    | E               | E               | E               |
| Climate class                                   | T (16°C - 43°C) | T (16°C - 43°C) | T (16°C - 43°C) |
| Freezer stars                                   | ****            | ****            | ****            |
| Noise level (dB (a))                            | 45              | 45              | 46              |
| Type of defrosting / automatic                  | No Frost / ja   | No Frost / ja   | No Frost / ja   |

| Series                     | Wine Cooler           | Beveragecenter   |
|----------------------------|-----------------------|------------------|
| Model                      | IOW51                 | IOB150           |
| Total Gross/Net (litres)   | 150 / Max. 51 bottles | 150              |
| Energy consumption (kWh/a) | 116                   | 116              |
| Energy class               | G                     | G                |
| Climate class              | ST (16°C - 38°C)      | ST (16°C - 38°C) |
| Noise level (dB (a))       | 41                    | 41               |

## # FUNCTIOS BY MODEL

| FUNCTIONS   | ICO19          | IWO19          | INO27          |
|---|----------------|----------------|----------------|
| Waterdispenser  | yes (internal) | yes (internal) | yes (internal) |
| Ice-maker (automatic)                                   | yes (internal) | yes (internal) | yes (internal) |
| Slide'n Store freezer baskets                           | 2x             | 2x             | 2x             |
| Fruit and vegetable drawer with adjustable humidity     | 2x             | 2x             | 2x             |
| Waterfilter GE SmartWater                               | XWF            | XWF            | XWF            |
| ClearLook door bins (adjustable)                        | 4x (2)         | 8x (4)         | 8x (4)         |
| Adjustable glass shelves                                | 3x             | 3x             | 3x             |
| Adjustable QuickSpace shelf                             | 1x             | 1x             | 1x             |
| Draagplateau over de gehele breedte                     | 1x             | 1x             | 1x             |
| Afgesloten delicatessenlade (temp. verstelbaar)         | 1x             | 1x             | 1x             |
| Crisp clear LED-lighting (freezer)                      | yes            | yes            | yes            |
| Crisp clear LED-lighting refrigerator)                  | yes            | yes            | yes            |
| Sabbath mode  | yes            | yes            | yes            |
| Door alarm  | yes            | yes            | yes            |
| Indicator replace waterfilter                           | yes            | yes            | yes            |
| TurboCool   | yes            | yes            | yes            |
| Electronic control (including the temperature settings) | yes (internal) | yes (internal) | yes (internal) |

The appliances in this catalogue have a 5 year guarantee on the parts of the hermetically sealed cooling circuit. There is a 2 year guarantee on repairs (parts, labour and call-out costs) attributable to defects in the product. The guarantee in the Netherlands, Belgium Germany and Luxembourg is provided by American Appliances B.V. For the full guarantee terms please see our website [www.am-ap.eu](http://www.am-ap.eu).



Mabe / American Appliances bv have a policy of continuous improvement of its products and reserves the rights to change materials and specifications without notice. All photographs shown in this catalog are noncontractual.





American performance, European design.

Let's make your kitchen **cool** again!

[www.iomabe.eu](http://www.iomabe.eu)

American performance, European design.  
Let's make your kitchen **cool** again!

American Appliances B.V. | NL +31 (0)85 90 20 500 | BE +32 (0)37 47 00 77 | DE +49 (0) 322 2109 2281 | [info@am-ap.eu](mailto:info@am-ap.eu)